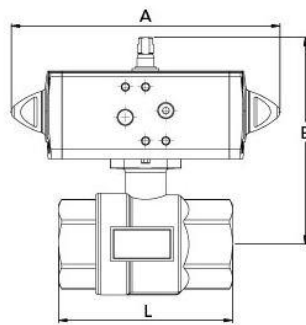


With pneumatic actuator - basic version.

Ball valves with pneumatic actuator. Pneumatic, double-piston, part-turn actuator, double-rocker principle.

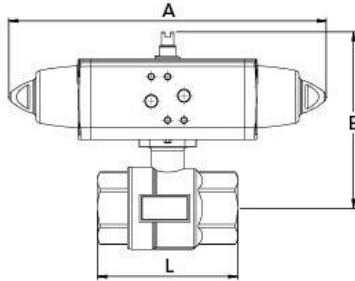
Material actuator	Anodised aluminium
Sealant actuator	NBR
Angle of rotation	90 °
Operating temperature actuator	-20 °C to 80 °C
Max. pilot pressure actuator	8.4 bar
Recommended pilot pressure	5.6 bar
Material ball valve	Nickel-plated brass, with flange plate ISO 5211
Sealant ball valve	PTFE / FKM
Operating temperature ball valve	-20 °C to 150 °C
Max. operating pressure ball valve	16 bar



351.213-1

Brass ball valve, double-acting actuator

Art. No.	Type No.	Thread	DN	Valve adapter	L mm	A mm	B mm
158828	351.209-1	Rp 3/8	10	Valve adapter NAMUR sold separately 118367	69.0	70.0	85.0
158829	351.210-1	Rp 1/2	15	Valve adapter NAMUR sold separately 118367	69.0	70.0	88.0
158830	351.211-1	Rp 3/4	20	Valve adapter NAMUR sold separately 118367	77.0	70.0	94.0
158831	351.212-1	Rp 1	25	Valve adapter NAMUR sold separately 118367	89.0	70.0	98.0
158800	351.213-1	Rp 1 1/4	32	Integrated to NAMUR	103.0	159.0	122.8
158801	351.214-1	Rp 1 1/2	40	Integrated to NAMUR	114.0	159.0	129.8
158802	351.215-1	Rp 2	50	Integrated to NAMUR	134.0	174.2	143.8



351.313-1

Brass ball valve, single-acting actuator - spring to close

Art. No.	Type No.	Thread	DN	Valve adapter	L mm	A mm	B mm
158746	351.309-1	Rp 3/8	10	Integrated to NAMUR	69.0	233.2	105.8
158747	351.310-1	Rp 1/2	15	Integrated to NAMUR	69.0	233.2	108.8
158748	351.311-1	Rp 3/4	20	Integrated to NAMUR	77.0	233.2	115.8
158749	351.312-1	Rp 1	25	Integrated to NAMUR	89.0	233.2	119.8
158750	351.313-1	Rp 1 1/4	32	Integrated to NAMUR	103.0	233.2	129.8
158751	351.314-1	Rp 1 1/2	40	Integrated to NAMUR	114.0	233.2	136.8
158752	351.315-1	Rp 2	50	Integrated to NAMUR	134.0	258.8	155.0